



RAV4





Model shown is Hybrid Sport.



ALL SUV
ALL HYBRID
NO HALF MEASURES



THERE'S DESIGN AND THEN THERE'S STYLE

A POWERFUL DESIGN STATEMENT WITH TRUE SUV CHARACTER.

The RAV4 is an SUV that was built to be driven – and designed for those who choose to stand out. Pairing the robust looks of a fully fledged SUV with sharp, dynamic styling, the RAV4 displays a sleek, urban edge. Powerful, with a real road presence, RAV4's strong body draws the eye from the elegant front LED headlamps, along the bold profile silhouette and through to the unique LED tail lights – producing a look that is individual and refined. RAV4's rugged SUV stance proves it looks and acts the part, while being completely at home in the city.





Model shown is Hybrid Sport.



Model shown is Hybrid Sport.

THERE'S HYBRID AND THEN THERE'S TOYOTA HYBRID

THE HYBRID SUV DESIGNED FOR EVERY ROAD AND EVERY CITY.

RAV4's powerful 2.5-litre Hybrid Dynamic Force powertrain delivers outstanding performance without compromise. It gives you confidence in every driving situation, from fast-moving motorways to congested cities and challenging road conditions. And thanks to its self-charging hybrid powertrain, you'll also enjoy exceptional range – giving you the benefits of electric power without inconvenience.

With RAV4, you can glide through the city, embrace the open road and leave compromise behind.





THERE'S CONTROL AND THEN THERE'S CONFIDENCE

**RAV4 DRIVES LIKE NO OTHER SUV
BECAUSE IT'S BUILT LIKE NO OTHER SUV.**

RAV4 represents an uncompromising balance of space, ride comfort, power and all-road capability. The innovative TNGA platform has enabled Toyota's engineers to lower the car's centre of gravity and increase both chassis rigidity and driver visibility. Together, these changes make RAV4 easier to handle and seriously fun to drive. The platform has also given the designers more freedom to create a stylish car, with more room throughout for both passengers and luggage.*

The result is a supremely capable SUV in which you can go anywhere in safety and style – and one you will just love to drive.

* Toyota New Global Architecture.



Model shown is Hybrid Sport.



Model shown is Hybrid Sport.

HYBRID**2.5 l Hybrid Dynamic Force e-CVT FWD**Power **218 bhp**

Fuel consumption WLTP*

5.6–5.7 litres/100 km**50.4–49.6 mpg**CO₂ emissions WLTP* **126–129 g/km**Acceleration 0–100 km/h **8.4 seconds**

Figures displayed are for RAV4 tested under the new WLTP (Worldwide harmonised Light Vehicle Test Procedure) test cycle.

**Drive Mode Selector**

Choose Eco mode for efficiency, Sport mode for a more thrilling experience, or Normal mode for everyday driving. And when you are facing challenging conditions, just hit the Trail switch[§] and the AWD-i system will keep you moving even if only two wheels have traction.

THERE'S POTENTIAL AND THEN THERE'S POWER

AN UNCOMPROMISING FUSION OF PERFORMANCE, EFFICIENCY AND LOW EMISSIONS.

RAV4 confirms its position as leader of the SUV market with the groundbreaking 2.5-litre Hybrid Dynamic Force powertrain. Available with the intelligent all-wheel drive (AWD-i) system, RAV4 delivers an impressive performance both on and off-road. And with the ability to adapt to changing driving conditions automatically, you'll have all the traction you need, whenever you need it – in snow, in mud, on steep slopes and even when cornering at speed.

With RAV4, you have a 2.5-litre Hybrid Dynamic Force powertrain with the option of either front- or all-wheel drive. And whichever you choose, you can be sure that no other SUV delivers the same outstanding balance of power, efficiency and pure driving pleasure as the RAV4.

e-CVT = electronically controlled Continuously Variable Transmission

* Combined cycle using WLTP data.

[§] AWD-i only.



Model shown is Hybrid Sport.

THERE'S SAFETY AND THEN THERE'S PEACE OF MIND

INTELLIGENCE THAT IMPROVES SAFETY FOR EVERYONE – INSIDE AND OUTSIDE THE CAR.

RAV4 includes a wide range of advanced safety systems to help you drive with more confidence. Toyota Safety Sense has been enhanced with more intelligent features, which means the car can now do even more to help you. It includes assistive functions such as Pre-Collision System that can see cyclists as well as other vehicles, Night-time Pedestrian Detection, Full-range Adaptive Cruise Control and Lane Trace Assist. Rest assured, however, that you'll always be in control.

Crucially, Toyota Safety Sense is standard on every RAV4 grade, because your safety is essential.



**Pre-Collision
System
with Cyclist
Detection**



**Pre-Collision
System with
night-time
Pedestrian
Detection**



**Full-range
Adaptive
Cruise
Control**



**Intelligent
Adaptive
Cruise
Control**



**Lane Trace
Assist**



Model shown is Hybrid Sport.



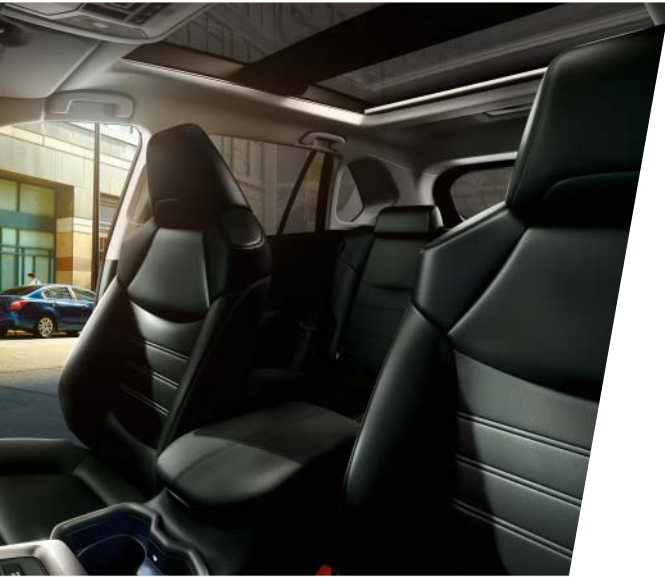
THERE'S DISTINCT AND THEN THERE'S REFINED

**A SUPERIOR CABIN, FINISHED WITH
A REMARKABLE SENSORY QUALITY.**

RAV4's interior is built around a wide centre console and contemporary new instrument panel. Simplicity meets high technology in seamless style, as the robust exterior design is met with the thoughtful arrangement of the interior.

Innovative features work with the cabin's clean lines in an environment of true refinement, focusing around the 8" multimedia touch screen, and complemented with thoughtful additions like cleverly concealed storage areas. The RAV4 is designed to deliver a sensory experience – and to enhance your every journey.

THERE'S SUFFICIENT AND THEN THERE'S SUBSTANTIAL



A CABIN WITH THE SPACE TO SPREAD OUT – FOR DRIVERS AND PASSENGERS ALIKE.

RAV4 combines great visibility and a high driving position with the comfort of a truly impressive cabin. With easily accessible storage areas throughout, its spacious interior offers a relaxing and practical environment. A wide back seat allows for plenty of shoulder room, while generous footwells give passengers ample space to spread out. The long, wide boot space features a full flat floor with no lips or ridges, making it easy to slide cumbersome luggage in and out. And because the rear seats fold flat, you can create even more space when you need it.

An electrically operated, panoramic glass sunroof floods the car with light, making the most of the welcoming interior space.*

** Standard on Platinum grade.*



Image shown is for illustrative purposes only.

Main features

- Available in FWD only
- Toyota Safety Sense 2
 - Pre-Collision System with Pedestrian and Cyclist Detection
 - Full-range Adaptive Cruise Control
 - Intelligent Adaptive Cruise Control
 - Lane Trace Assist
 - Road Sign Assist
 - Automatic High Beam
- 17" light-grey alloy wheels (5-spoke)
- Power back door
- Smart entry
- Front & rear parking sensors
- LED Headlamps
- Front fog lamps (bulb type)
- Rear combination lamps (LED type)
- LED Daytime running lights
- LED Front light guide
- Dual-zone climate control
- Rear-view camera
- 8" Multimedia display
- Apple CarPlay / Android Auto™
- 6 Speakers
- Digital Audio Broadcast (DAB)
- Bluetooth® mobile phone connection
- 7" Information display
- Rain sensor
- Dusk sensor
- Electrochromatic rear-view mirror (auto-dimming)
- Electronic parking brake with hold
- Illuminated entry system
- Illuminated window switches
- Automatically retractable, heated door mirrors
- Push-button start
- Silver front under-run
- Silver rear under-run
- Temporary spare wheel
- eCall Emergency call system



Model shown is Hybrid Luna.

Apple CarPlay is a trademark of Apple Inc.

THERE'S USEFUL AND THEN THERE'S ESSENTIAL

LUNA GRADE

This grade offers a great balance of form, function and features. It's the modern SUV that has all the essentials, alongside styling to set you apart.



Main features (additional to Luna)

- 18" dark premium metallic alloy wheels (5-double-spoke)
- LED Front fog lamps
- Satellite navigation
- Rear privacy glass
- Tex leather (synthetic) black trim
- Heated front seats
- Power-sliding & reclining driver seat
- Power-height-adjustable driver seat
- Power-adjustable lumbar support on driver seat



Model shown is Hybrid Sol.

THERE'S STYLISH AND THEN THERE'S STRIKING

SOL

For those who like to stand out, the Sol grade offers style and sophistication. The 18" dark premium metallic alloy wheels and rear privacy glass will turn heads and get you noticed.



THERE'S EYE-CATCHING AND THEN THERE'S OUTSTANDING

SPORT

For drivers who like to make an impression, the Sport grade represents an uncompromising statement. A wealth of stunning details comes together to create a RAV4 with a cool, urban edge.



Model shown is Hybrid Sport.

**Main features (additional to Sol)**

- Available in four Bi-tone body colours
- 18" black painted alloy wheels (5-double-spoke)
- Projector LED headlamps
- Tex leather (synthetic) black trim with blue stitching
- Light blue ambient lighting on open tray & front cup holders
- Paddle shifts
- Black roof lining
- Attitude Black roof
- Attitude Black front & rear bumper
- Attitude Black wheel arch moulding
- Attitude Black door mirrors
- Attitude Black front pillar design
- Attitude Black surrounds on front fog lamps

Main features (additional to Sport)

- Available in FWD & AWD-i
- Not available in Bi-tone body colours
- Panoramic Roof
- Panoramic View Monitor
- Intelligent Clearance Sonar
- Blind Spot Monitor (BSM)
- Rear Cross Traffic Alert with Brake Assist (RCTA-B)
- Leather trim: choice of black, beige or light grey
- Heated steering wheel
- Memory function on driver seat
- Passenger power-slide & height-adjustable seat
- Chrome insert on door handles
- Tyre repair kit
- Grey roof lining



Model shown is Hybrid Platinum.

THERE'S ELEGANT AND THEN THERE'S EXCEPTIONAL

PLATINUM

For those who insist on the very best, the supremely equipped Platinum grade takes RAV4 refinement to new heights. With serious substance to match its style, this is the ultimate RAV4.



TAILOR YOUR RAV4

ACCESSORIES FOR YOUR HYBRID.*

Accessories allow you to tailor your RAV4 to your lifestyle – adding to the value of your car.

PROTECTION PACK

- 1. Rubber floor mats*** - Genuine tailored-fit floor mats help protect your carpets against the very worst conditions. Impervious to dirt, mud and water, they can be removed for easy cleaning.
- 2. Rear bumper protection plate*** - Designed to protect the rear bumper paintwork against scratching when sliding heavy or awkward loads into the boot.



* Available as accessories from your local dealer.



CARE PACK

3. Boot liner* - Tailored to fit the boot of your vehicle and provide protection against dirt and spillages.

4. Front and rear mud guards* - Designed to minimise water, mud and stones spraying onto your vehicle's body.

5. Alloy wheel lock nuts* - Replacing one nut on each wheel with a Toyota hardened steel wheel lock nut will maximise security for your valuable alloys.



STYLE PACK

1. Chrome side garnish* - Contoured to integrate smoothly with the side of your vehicle and create a powerful low profile appearance.

2. Chrome rear garnish* - The smart chrome finish adds an extra element of style to your vehicle's boot.

3. Aluminium scuff plates* - Genuine scuff plates on the door sills create an immediate impression of style while also serving a very practical purpose of protecting the sill paintwork.



Models shown for illustrative purposes only.



ACCESSORIES FOR TRANSPORTATION.

4. Towing hitch* - Gives you the ideal capacity to tow a small boat, caravan or trailer. It is designed for the Toyota RAV4 and has a tough anti-corrosion surface treatment

5. Aluminium roof crossbars* - A strong, yet lightweight, lockable design with wing-shaped bars to reduce wind noise and streamlined clamp covers for a stylish finish. It's easy to install, use and store.

6. Thule Pacific 200 roof box* (Internal Volume 410 litres) - Roof boxes fitted to your vehicle increase versatility and practicality. Roof boxes are the perfect solution for families going on holiday and looking for more space.

The accessories shown are just a small selection of the wide range available. For that extra level of safety, add Toyota's parking aid and/or child restraint seat; and be connected with the Toyota navigation unit or the hotspot. Also, don't forget everyday practicalities and basic comfort with, for example, a storage box or ashtray.

Visit www.toyota.ie for the complete range of all accessories.

* Available as accessories from your local dealer.



040 Pure White*



070 Pearl White*^S



1D6 Silver Metallic*⁰



1G3 Ash Grey*⁰



218 Attitude Black*⁰



3T3 Tokyo Red*^S



6X3 Urban Khaki*



8X8 Midnight Blue*⁰

THERE'S NOTICEABLE AND THEN THERE'S UNMISSABLE

The RAV4 offers a wide range of exterior colours from the simplicity of Pure White to the cool charisma of Midnight Blue. And with Sport grade, you can contrast the gloss black roof with one of four body colours, to incredible effect.



2QJ Pearl White[§] with Attitude Black[°] roof^{}**



2QY Silver Metallic[°] with Attitude Black[°] roof^{}**



2QZ Ash Grey[°] with Attitude Black[°] roof^{}**

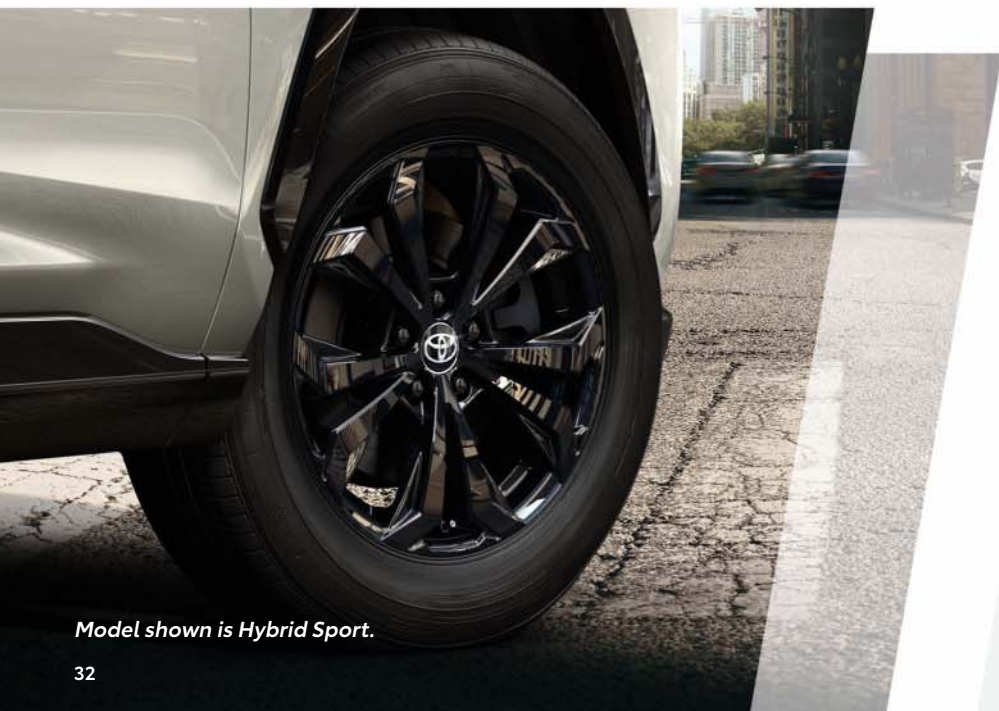


2RA Midnight Blue[°] with Attitude Black[°] roof^{}**

* Not available on Sport grade. § Pearlescent paint.
° Metallic paint. ** Sport grade only.

THERE'S STYLISH AND THEN THERE'S STUNNING

Choose from a stunning line-up of alloy wheels – all designed to complement your RAV4 perfectly.



Model shown is Hybrid Sport.

OPTIONAL WHEELS*



**17" silver alloy wheels
(5-spoke)**
Optional on all grades*



**17" light grey alloy wheels
(5-spoke)**
Standard on Luna



**18" dark premium metallic
alloy wheels (5-double-
spoke)**
Standard on Sol, Platinum



**18" black painted alloy
wheels (5-double-spoke)**
Standard on Sport



**18" silver alloy wheels
(5-double spoke)**
Optional on all grades*



**18" black alloy wheels
(5-double spoke)**
Optional on all grades*



**18" machined-face alloy
wheels (5-double spoke)**
Optional on all grades*

* Available as accessories
from your local dealer.

THERE'S QUALITY AND THEN THERE'S TAILORED

A wide range of trim options includes fabric, leather-style and genuine leather available in three colours. Whichever you choose, comfort and style come as standard.



Black premium fabric
Standard on Luna



Model shown is Hybrid Platinum.

OPTIONAL TRIMS*

SEAT TRIMS



Black Tex leather (synthetic)
Standard on Sol



Black Tex leather (synthetic) with blue stitching
Standard on Sport



Black leather
Standard on Platinum



Beige leather
Standard on Platinum



Light grey leather
Standard on Platinum



Saddle brown and black leather[§]
Optional on all grades*



Grey and black leather[§]
Optional on all grades*



Black leather with grey piping and stitching
Optional on all grades*

* Available as accessories from your local dealer.
[§] Consists of natural leather and synthetic leather.

SPECIFICATIONS

ENVIRONMENTAL PERFORMANCE

	Hybrid	Hybrid
	2.5 l Hybrid Dynamic Force e-CVT FWD	2.5 l Hybrid Dynamic Force e-CVT Hybrid AWD-i
Fuel Combined WLTP (l/100 km)	5.6–5.7	5.8
Fuel Low (l/100 km)	5.0	5.5
Fuel Medium (l/100 km)	4.9	4.8
Fuel High (l/100 km)	4.8–5.0	5.0
Fuel Extra High (l/100 km)	6.9–7.1	7.1
CO ₂ Combined WLTP (g/km)	126–129	131
CO ₂ Low (g/km)	112–114	125
CO ₂ Medium (g/km)	110–111	109
CO ₂ High (g/km)	109–112	112
CO ₂ Extra High (g/km)	156–161	162
Exhaust Emissions EC Regulations (Update)	EU 2018/1832 AP	EU 2018/1832 AP
Euro class	EURO 6 AP	EURO 6 AP
Carbon monoxide, CO (mg/km)	173.1	190.7
Hydrocarbons, THC (mg/km)	16.9	15.8
Nitrogen Oxides, NO _x (mg/km)	2.2	1.7
Sound level drive by (dB(A))	68	69
Fuel tank capacity (l)	55	55

The fuel consumption, CO₂ and noise values are measured in a controlled environment on a basic production vehicle, in accordance with the requirements of European law published by the European Commission. Figures displayed are for RAV4 tested under the new WLTP (World harmonised Light Vehicle Test Procedure) test cycle. For further information, or if you are interested in buying a basic production vehicle, please contact Toyota Motor Europe NV/SA. The fuel consumption and CO₂ values of your vehicle may vary from those measured. Driving behaviour as well as other factors (such as road conditions, traffic, vehicle condition, installed equipment, load, number of passengers, ...) play a role in determining a car's fuel consumption and CO₂ emissions.

e-CVT = electronically controlled Continuously Variable Transmission

ENGINE

	Hybrid 2.5 l Hybrid Dynamic Force e-CVT FWD	Hybrid 2.5 l Hybrid Dynamic Force e-CVT Hybrid AWD-i
Number of cylinders	4, in line	4, in line
Valve mechanism	16-valve DOHC, VVT-iE (intake), VVT-i (exhaust)	16-valve DOHC, VVT-iE (intake), VVT-i (exhaust)
Fuel system	Fuel injection	Fuel injection
Displacement (cc)	2487	2487
Bore x stroke (mm x mm)	87.50 x 103.48	87.50 x 103.48
Compression ratio	14.0:1	14.0:1
Maximum power output (kW/rpm)	160	163
Maximum torque (Nm/rpm)	221/3600–5200	221/3600–5200

TRANSMISSION

Transmission type	CVT	CVT
Number of speeds	1	1

PERFORMANCE

Maximum speed (km/h)	180	180
0–100 km/h (secs)	8.4	8.1
Drag coefficient	0.32	0.32

SPECIFICATIONS

WEIGHTS & TOWING CAPACITY

	Hybrid 2.5 l Hybrid Dynamic Force e-CVT FWD	Hybrid 2.5 l Hybrid Dynamic Force e-CVT Hybrid AWD-i
Kerb weight (kg)	1590–1685*/ 1605–1680 [§] / 1605–1685 [°]	1655–1735
Gross vehicle weight (kg)	2130	2215
Towing capacity with brakes (kg)	800	1650
Towing capacity without brakes (kg)	750	750

* Luna FWD & Sol FWD.

[§] Sport FWD.

[°] Platinum FWD.

SUSPENSION

Front	MacPherson strut	MacPherson strut
Rear	Double wishbone	Double wishbone

BRAKES

Front	Ventilated disc, 2-cylinder	Ventilated disc, 2-cylinder
Rear	Ventilated disc, 1-cylinder	Ventilated disc, 1-cylinder

SAFETY

Airbags in total	7	7
------------------	---	---

LOAD VOLUME

SUV 5 Doors

Luggage capacity up to roof (l)	542
---------------------------------	-----

STEERING

SUV 5 Doors

Minimum turning radius – tyre (m)	5.5
-----------------------------------	-----

EXTERIOR DIMENSIONS

SUV 5 Doors

Number of doors	5
Exterior length (mm)	4600
Exterior height (mm)	1685
Exterior width (mm)	1855
Wheelbase (mm)	2690
Front tread (mm)	1610
Rear tread (mm)	1640
Front overhang (mm)	925
Rear overhang (mm)	985

WHEELS

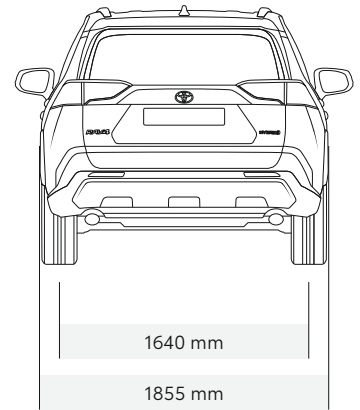
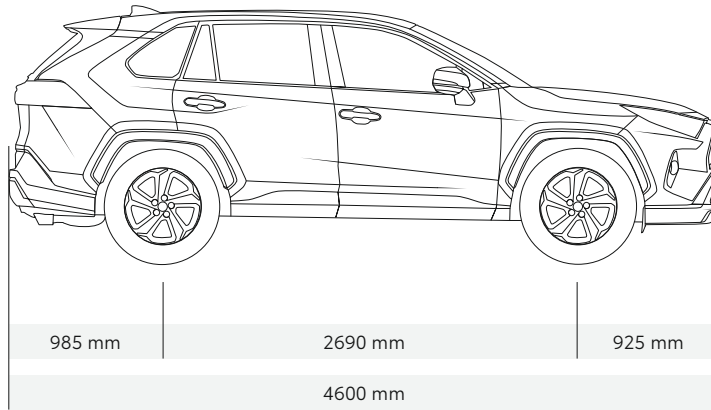
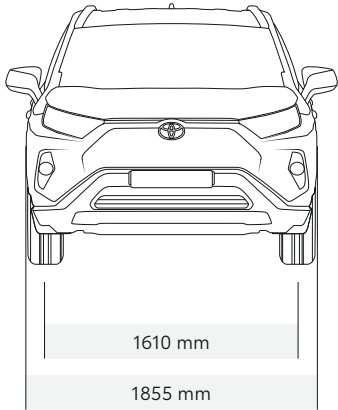
Luna

Sol

Sport

Platinum

17" light-grey alloy wheels (5-spoke)	●	–	–	–
18" dark premium metallic alloy wheels (5-double-spoke)	–	●	–	●
18" black painted alloy wheels (5-double-spoke)	–	–	●	–
Temporary spare wheel	●	●	●	–
Tyre Repair Kit	–	–	–	●



● = Standard – = Not available

EQUIPMENT

EXTERIOR STYLING	Luna	Sol	Sport	Platinum
Panoramic roof	–	–	–	●
Dark grey painted upper front grille	●	●	●	●
Meshed upper front grille	●	●	●	●
LED front & rear light guide	●	●	●	●
Black surrounds on front fog lamps	●	●	–	●
Attitude Black surrounds on front fog lamps	–	–	●	–
Attitude Black front & rear bumper	–	–	●	–
Silver front & rear under-run	●	●	●	●
Attitude Black rear spoiler	–	–	●	–
Silver insert on boot door	●	●	●	●
Body-coloured door mirrors	●	●	–	●
Attitude Black door mirrors	–	–	●	–
Body-coloured door handles	●	●	●	●
Chrome insert on door handles	–	–	–	●
Rear privacy glass	–	●	●	●
Attitude Black front pillar design	–	–	●	–
Attitude Black wheel arch moulding	–	–	●	–
Attitude Black roof	–	–	●	–
Attitude Black shark-fin antenna	–	–	●	–
Body-coloured shark-fin antenna	●	●	–	●
Body-coloured rear spoiler	●	●	–	●
Body-coloured roof	●	●	–	●

EXTERIOR COMFORT

Luna

Sol

Sport

Platinum

	Luna	Sol	Sport	Platinum
Follow-me-home headlights	●	●	●	●
Dusk sensor	●	●	●	●
Rain sensor	●	●	●	●
Boot door release with push button	●	●	●	●
Power boot door	●	●	●	●
Remote boot door release on key	●	●	●	●
Remote boot door release in cabin	●	●	●	●
Automatically retractable, power, heated door mirrors	●	●	●	●
Puddle lamps on door mirrors	–	–	–	●
Remote door locks	●	●	●	●
Smart Entry	●	●	●	●

INTERIOR STYLING

Luna

Sol

Sport

Platinum

	Luna	Sol	Sport	Platinum
Soft-touch texture on upper dashboard	●	●	●	●
Silver insert on upper dashboard	●	●	●	●
Blue stitching on upper dashboard	–	–	●	–
Soft-touch texture on lower dashboard	●	●	●	●
Light blue ambient lighting on open tray	–	–	●	●
Silver surround on analogue tachometer	●	●	●	●
Light blue lighting on tachometer	●	●	●	●
Silver surround on Hybrid System Indicator	●	●	●	●
3-spoke leather steering wheel	●	●	●	●
Chrome insert on steering wheel	●	●	●	●

● = Standard – = Not available

EQUIPMENT

INTERIOR STYLING	Luna	Sol	Sport	Platinum
Piano black centre console	●	●	●	●
Silver insert on centre console	●	●	●	●
Silver surround on multimedia display screen	●	●	●	●
Chrome insert on centre air vents	●	●	●	●
Chrome insert on side air vents	●	●	●	●
Leather gear shift knob	●	●	●	●
Chrome gear shift knob surround	●	●	●	●
Silver surround on gear shift console	●	●	●	●
Electronic parking brake	●	●	●	●
Light blue ambient lighting on front cup holders	–	–	●	●
Illuminated window switches on door	●	●	●	●
Blue stitching on front seats	–	–	●	–
Leather-like front door trim	●	●	●	●
Blue stitching on front door trim	–	–	●	–
Light grey stitching on front door trim	–	●	–	●*
Brown stitching on front door trim	–	–	–	●*
Leather-like front door armrests	●	●	●	●
Black front door armrests	–	●	–	●*
Beige front door armrests	–	–	–	●*
Light grey front door armrests	–	–	–	●*
Silver insert on front door assist grips	●	●	●	●
Satin chrome interior door handles	●	●	●	●
Grey roof lining	●	●	–	●
Black roof lining	–	–	●	–
Soft-touch rear door trim	●	●	●	●
Brown stitching on upper dashboard	–	–	–	●*
Light grey stitching on upper dashboard	–	●	–	●*
Rear armrest	●	●	●	●

* Dependent on interior trim choice.

INTERIOR COMFORT	Luna	Sol	Sport	Platinum
Push-button start	●	●	●	●
Manual telescopic steering wheel	●	●	●	●
Manual tilting steering wheel	●	●	●	●
Heated steering wheel	–	–	–	●
Analogue tachometer	●	●	●	●
Electric Power Steering (EPS)	●	●	●	●
Paddle shifts	–	–	●	●
Electrochromatic rear-view mirror	●	●	●	●
Rear-view camera display on audio screen	●	●	●	●
Dynamic guide lines on rear-view camera display	●	●	●	●
Dual-zone climate control	●	●	●	●
Pollen air filter	●	●	●	●
Clean air filter	●	●	●	●
Rear passenger air vents	●	●	●	●
Power-sliding driver seat	–	●	●	●
Power-reclining driver seat	–	●	●	●
Manually height-adjustable driver seat	●	–	–	–
Power-height-adjustable driver seat	–	●	●	●
Power-sliding passenger seat	–	–	–	●
Power-height-adjustable passenger seat	–	–	–	●
Power-adjustable lumbar support on driver seat	–	●	●	●
7" coloured TFT information display	●	●	●	●
60:40 split-folding rear seats	●	●	●	●
Adaptive Cruise Control switch on steering wheel	●	●	●	●
Adjustable Speed Limiter (ASL) switch on steering wheel	●	●	●	●
Anti-jam protection on power windows	●	●	●	●
Audio switches on steering wheel	●	●	●	●
Auto up & down function on all power windows	●	●	●	●

● = Standard – = Not available

EQUIPMENT

INTERIOR COMFORT	Luna	Sol	Sport	Platinum
Automatic High Beam (AHB) on/off switch	●	●	●	●
Boot 12V power outlet	●	●	●	●
Boot lamp	●	●	●	●
Central armrest	●	●	●	●
Centre room lamp (bulb type)	●	●	●	●
Child safety door locks	●	●	●	●
Driver & front passenger personal lamps (bulb type)	●	●	●	●
ECO-driving indicator	●	●	●	●
Foot lamp	●	●	●	●
Front overhead assist grips	●	●	●	●
Front & rear power windows	●	●	●	●
Heated front seats	–	●	●	●
Hybrid System Indicator	●	●	●	●
Illuminated entry system	●	●	●	●
Information display switches on steering wheel	●	●	●	●
Key reminder warning	●	●	●	●
Lamp on driver sun visor	●	●	●	●
Lamp on passenger sun visor	●	●	●	●
Lane Departure Alert switch on steering wheel	●	●	●	●
Memory function on driver seat	–	–	–	●
Mirror on driver sun visor	●	●	●	●
Mirror on passenger sun visor	●	●	●	●
Power door locks	●	●	●	●
Rear door armrests	●	●	●	●
Rear overhead assist grips	●	●	●	●
Speed-detecting automatic door locks	●	●	●	●
Telephone switch on steering wheel	●	●	●	●
Toyota Easy Flat system	●	●	●	●
Voice recognition switch on steering wheel	●	●	●	●

STORAGE	Luna	Sol	Sport	Platinum
1.5 litre bottle holder	●	●	●	●
Double-sided boot floor (carpet & plastic)	●	●	●	●
Dual-level deckboard	●	●	●	●
Front bottle holders	●	●	●	●
Front cup holders	●	●	●	●
Lockable glovebox	●	●	●	●
Open tray on passenger dashboard	●	●	●	●
Passenger-only seatback pocket	●	●	●	●
Rear bottle holders	●	●	●	●
Rear console box	●	●	●	●
Rear cup holders	●	●	●	●
Rear passenger coat hooks (2)	●	●	●	●
Retractable tonneau cover	●	●	●	●
Single compartment glovebox	●	●	●	●
Sunglasses holder	●	●	●	●

MULTIMEDIA	Luna	Sol	Sport	Platinum
6 speakers	●	●	●	●
8" multimedia display	●	●	●	●
Bluetooth® mobile phone connection	●	●	●	●
Toyota Touch® 2 multimedia system	●	●	●	●
Toyota Touch® 2 with Go navigation system	–	●	●	●
Apple CarPlay / Android Auto™	●	●	●	●
Voice recognition	–	●	●	●
Digital Audio Broadcast (DAB)	●	●	●	●
USB Connector – Type C	●	●	●	●

● = Standard – = Not available

EQUIPMENT

SAFETY

Luna

Sol

Sport

Platinum

Toyota Safety Sense 2	Luna	Sol	Sport	Platinum
Pre-Collision System with Pedestrian and Cyclist Detection	●	●	●	●
Full-range Adaptive Cruise Control	●	●	●	●
Intelligent Adaptive Cruise Control	●	●	●	●
Lane Trace Assist	●	●	●	●
Road Sign Assist	●	●	●	●
Automatic High Beam	●	●	●	●
Adjustable Speed Limiter (ASL)	●	●	●	●
Anti-lock Braking System (ABS) with Electronic Brake force Distribution (EBD)	●	●	●	●
Automatic headlamp levelling	●	●	●	●
Bi-beam LED headlamps	–	–	●	●
Blind Spot Monitor (BSM)	–	–	–	●
Rear Cross Traffic Alert with Brake Assist (RCTA-B)	–	–	–	●
Brake Assist (BA)	●	●	●	●
Driver Attention Alert	●	●	●	●
eCall emergency call system	●	●	●	●
Emergency Brake-light Signal (EBS)	●	●	●	●
Front fog lamps (bulb type)	●	–	–	–
LED Front fog lamps	–	●	●	●
Front & rear parking sensors	●	●	●	●
Intelligent Clearance Sonar (ICS)	–	–	–	●
High-mounted stop lamp (LED type)	●	●	●	●
Hill-start Assist Control (HAC)	●	●	●	●
Immobiliser	●	●	●	●

SAFETY	Luna	Sol	Sport	Platinum
LED daytime running lights	●	●	●	●
LED headlamps	●	●	–	–
Multi-reflector LED headlamps	●	●	–	–
Projector LED headlamps	–	–	●	●
Rear combination lamps (LED type)	●	●	●	●
LED rear brake lights	●	●	●	●
Rear-view camera	●	●	●	●
Panoramic View Monitor (PVM)	–	–	–	●
Trailer Sway Control (TSC)	●	●	●	●
Turning signal (bulb type)	●	●	●	●
Turning signal integrated in door mirrors	●	●	●	●
Tyre Pressure Warning System (TPWS)	●	●	●	●
Vehicle Stability Control (VSC)	●	●	●	●
Memory on speed limiter	●	●	●	●
Adjustable front driver seat belt extender	●	●	●	●
Adjustable front passenger seat belt extender	●	●	●	●
Driver & front passenger Whiplash Injury Lessening (WIL) seats	●	●	●	●
Front passenger airbag detector	●	●	●	●
Front passenger airbag on/off switch	●	●	●	●
Front seat belt reminder	●	●	●	●
ISOFIX seat fixing	●	●	●	●
Pre-tensioners and force limiters	●	●	●	●
Rear headrests (3)	●	●	●	●
Rear seat belt reminder	●	●	●	●
Supplemental Restraint System (SRS) airbags – 7 airbags	●	●	●	●

● = Standard – = Not available

TOYOTA 2050 ENVIRONMENTAL CHALLENGE & ENVIRONMENTAL LIFECYCLE POLICY



At Toyota, we want to go beyond zero environmental impact and leave the world in a better place than we found it. To make that happen, we have set ourselves six challenges to complete by 2050. Each one presents its own difficulties, but we are committed to generating a positive and sustainable impact on society and the natural world as a whole.



CHALLENGE 1

NEW VEHICLE ZERO CO₂ EMISSIONS

By 2050, we want to reduce the CO₂ emissions from our vehicles by 90% compared to our 2010 levels. To achieve this, we will promote the development of new vehicles with low or zero carbon emissions, and do everything we can to increase the uptake of these vehicles.



CHALLENGE 2

LIFE CYCLE ZERO CO₂ EMISSIONS

We are working to create more environmentally friendly designs – and then analysing and refining them to ensure the lowest possible environmental impact throughout the vehicle's entire life cycle*.



CHALLENGE 4

MINIMISING AND OPTIMISING WATER USAGE

To minimise water usage, we have started to collect rainwater at our manufacturing plants. We have also developed purification methods so that the water we do use can either be used again or returned safely into the local supply.



CHALLENGE 5

ESTABLISHING A RECYCLING-BASED SOCIETY AND SYSTEMS

We've been working on the challenge of resource recycling for 40 years, with the result that 95% of every Toyota RAV4 is now reusable and recoverable. In addition, we offer new and innovative ways of returning your vehicle when it eventually reaches 'the end of the road':

For more information regarding Toyota Environmental Challenge please visit: www.toyota.ie or contact your local Toyota dealer.



* Toyota's LCA methodology, which is applied to our passenger vehicles, was reviewed and approved by TÜV Rheinland and has been certified to comply with ISO14040/14044 standards.



CHALLENGE 3

PLANT ZERO CO₂ EMISSIONS

To reduce carbon emissions at our manufacturing plants, we are focusing on improving the technologies we use and switching to alternative power sources. We are committed to making our facilities more energy-efficient and adopting renewable energy sources such as solar and wind, as well as low-carbon power such as hydrogen energy.



CHALLENGE 6

ESTABLISHING A FUTURE SOCIETY IN HARMONY WITH NATURE

To preserve and enhance our co-existence with the natural world, we are organising reforestation and tree planting, green urban schemes and other environmental initiatives, both at our own sites and in the wider world. Our aim is to establish a society where people and nature coexist in harmony.

YOUR COMPLETE PEACE OF MIND WITH TOYOTA

HYBRID SERVICE PROGRAMME

Hybrid Battery Extra Care cover[§] on an annual/15,000 km basis (whichever comes sooner) up to the 15th year from vehicle registration date.

QUALITY SERVICE

Your Toyota will need an intermediate service every year or 15,000 km (whichever comes first). A full Health & Safety service is necessary every 2 years/30,000 km (whichever comes first).

LOW MAINTENANCE COSTS

All Toyota vehicles are designed and engineered to minimise your maintenance costs.

GENUINE PARTS

Providing the reassurance of Toyota quality, only genuine and approved components are used on your vehicle.

COMPREHENSIVE WARRANTY

Every new Toyota comes with a 3-year/100,000 km vehicle warranty and a 5-year/100,000 km warranty on Hybrid components for Hybrid vehicles[§], which covers any defect caused by a manufacturing fault**.

ADDED SECURITY

Toyota's comprehensive security system withstands the insurance industry's rigorous 5-minute attack test.

TOYOTA EURO CARE

Enjoy peace of mind driving with complimentary Toyota Eurocare roadside assistance in 40 European countries for 3 years.

GENUINE ACCESSORIES

Toyota accessories are designed and manufactured with the same care, quality and attention to detail as Toyota vehicles. All accessories are covered by a 3-year warranty when purchased together with the vehicle[§].

For more information on peace of mind visit: www.toyota.ie

[§] Check with your dealer for specific Toyota Hybrid Service Programme details. [§] Check with your dealer for specific warranty details. ^{**} Transport to the nearest authorised Toyota repairer will also be covered. In addition 3-year/unlimited mileage paint warranty protects against defects and surface rust caused by a manufacturing fault. Every new Toyota is covered by a 12-year anti-corrosion (not valid for commercial vehicles) warranty against perforation of body panels caused by a manufacturing fault in materials or workmanship.



IF YOU CHOOSE

Model shown is Hybrid Sport.



CHOOSE RAV4

*THERE'S HYBRID, AND THEN THERE'S
TOYOTA RAV4 HYBRID.*



RAV4.
ALL SUV. ALL HYBRID. NO HALF MEASURES.

www.toyota.ie

To the best of our knowledge, all information in this brochure is correct at the time of going to print. Details of specifications and equipment provided in this brochure are subject to local conditions and requirements and may, therefore, vary from models available in your area. Please enquire with your local dealer for details on your local specifications and equipment. • Vehicle body colours may differ slightly from the printed photographs in this brochure. Toyota Ireland reserves the right to alter any details of specifications and equipment without prior notice. • © 2022 by Toyota Ireland. • No part of this publication may in any way be reproduced without the prior written approval of Toyota Ireland.